

Z20 series - Mini Position Indicator

- Power down memory
- Datum value
- Multi edge triggering
- Selectable decimal point
- Programmable pulse factor
- Sign for counting direction
- Digital brightness control
- Up/Down- or Differential counting mode
- Connection for magnetic sensor available (SN005)

Standard Z20-000

Z20 provides a rugged cost effective quality panel mounting instrument. This small, compact unit has an 8 mm high, red LED display and provides a convenient, precise and easily readable indication of position. Using the dust-tight keypad (and external signal if required) the display can be reset or preset a datum value. The standard unit evaluates conventional, incremental square waves (Channels A,B and Z) of optical rotary encoders and also the magnetic ELGO measuring systems LMIX, EMIX, MIX, PMIX and FMIX (if ordered with measuring system index M or N).

See "Type designation"

Special version Z20-005

The special version Z20-005 is equipped with a directly connector to the magnetic sensor ELGO-MS20.60. The translator circuit is already integrated in the unit. For correct measuring, a magnetic tape with 5 mm pole distance is necessary (e.g. ELGO MB20.50).

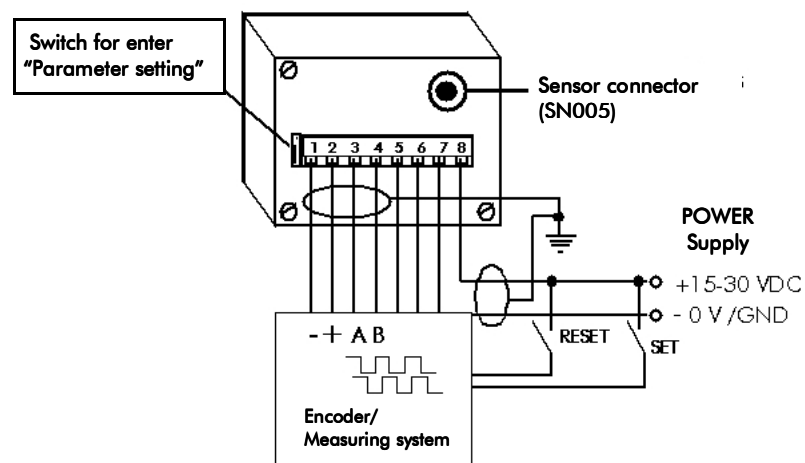


Z20 (SN005) with magnetic sensor MS20.60

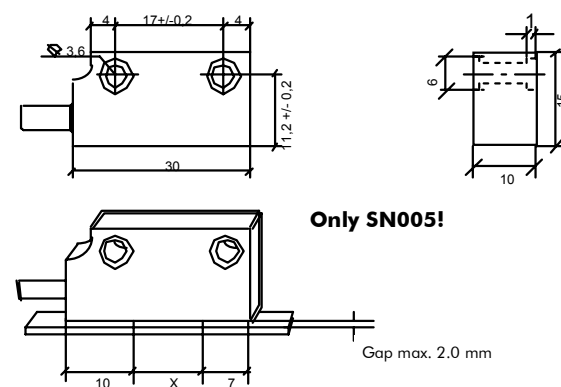
Many different incremental measuring systems can be connected to Z20. Levels and measuring systems are encoded by different letters or figures in the type designation and can be ordered as desired.



Connections:



Dimensions of sensor MS20.60



Z20 series - Mini Position Indicator

Type designation

Z20 - 000 - 024 - X - X

- Counter/Indicator** _____
- Version** _____
000 = Standard , 005 = Connection for magnetic sensor MS20.60
- Supply** _____
024 = 24 VDC +/- 10 %
- Measuring system** _____
1 = A/B/Z
M = A/B Modulation for ELGO measuring systems MIX/EMIX/LMIX/PMIX/LMIX
N = A/B/Z Modulation for ELGO measuring systems MIX/EMIX/LMIX/PMIX/LMIX
- Options** _____
None

NG20.0

Accessory: External power pack
(Norm rail installation)
primary 115/230 VAC
Output 16 VDC / 100 mA

Technical specifications

Indicator Z20	
Supply voltage:	15 - 30 VDC (not stabilized)
Power consumption:	1 VA
Counting frequency:	20 KHz = 2 m/s, resolution 0.1 mm (more on request) At SN005 = 2,5 m/s, resolution 0.01 mm
Display:	8 mm high red LED, 5 digits with +/- sign
Input signals:	Square waves with 90° phase offset, Level: 12 V
External inputs:	potential free contacts (max. 10 Hz)
Memory:	in power down status all parameters and the actual value will be stored in an EE-prom
Operation temperature:	0...50 °C
Housing:	Norm panel housing (plastic, black)
Dimensions of housing:	w x h = 72 x 48 mm
Panel cut out:	w x h = 69 x 45 mm
Install depth:	77 mm inclusive connections

NG 20.0 (Accessory, external power pack):

If there's no DC-Voltage available, please use the external power pack ELGO-NG20.0!
 Primary voltage: 230 VAC/50 Hz, or 115 V/60 Hz +/- 10%.
 Secondary voltage: + 16 VDC, not stabilized, max. 300 mA
 Dimensions: DIN-Norm rail housing, H= 80 mm, W= 45 mm, D= 60 mm with clamping screws.

Magnetic Sensor MS 20.60 (only SN005)

Maximum speed:	3,2 m/sec.
Cable length:	1m, 3m, 5m, 8m, 10m, 15m
Cable diameter:	5.3 mm
Cable bends radius:	min. 60 mm
Connector diameter:	12.5 mm
Housing:	Metal
Protection:	IP 65
Mounting attitude:	any
Enclosure:	Die cast zinc
Air gap to strip:	0.1 mm to 2 mm
Temperature:	0°... + 50 °C

Magnetic Tape MB 20.50

Length:	0.5 ...25 m
Repeat accuracy	0.01 mm
Accuracy at 20°C in mm:	+/- (0,025 + 0,02 x L) (L = Length in m)
Temperature coefficient:	0,000016 x 1/°C
Operating temperature:	0°... + 50 °C
Protection:	IP 65
Dimensions:	10 mm x 1.8 mm x length
Mounting attitude:	any



Z20 series

Programmable Mini Position Indicator